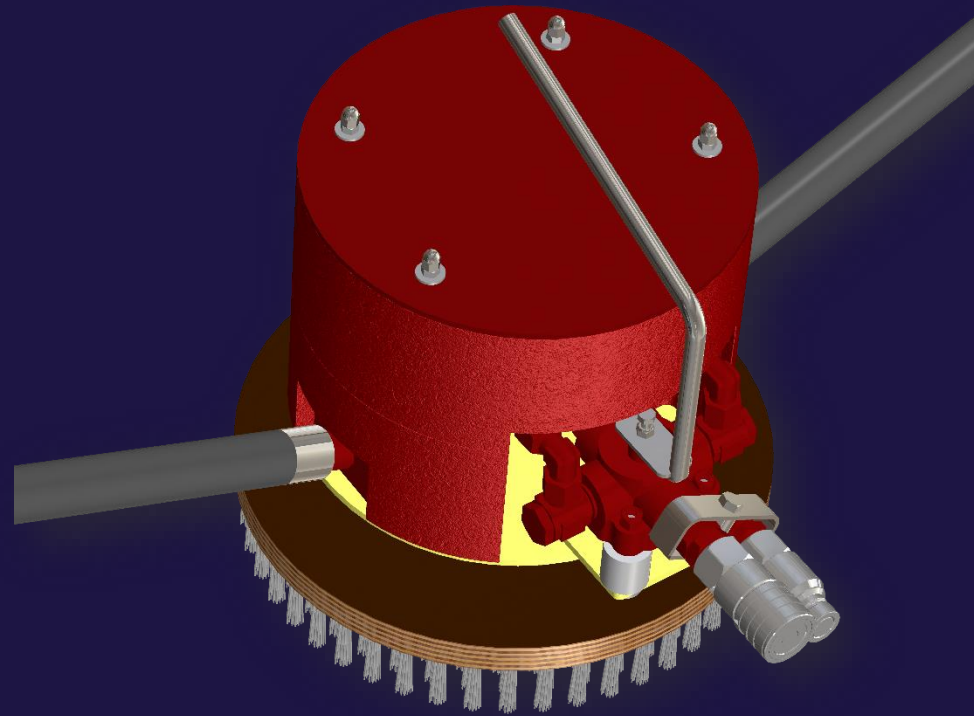




Single Brush Cleaning Unit



This is a hydraulically powered hand cleaning tool for cleaning niche areas such as Rudder, duct, bilge keels, and all the areas that the 2nd Gen Brush-kart cannot reach due to its size.

It is very handy and light.





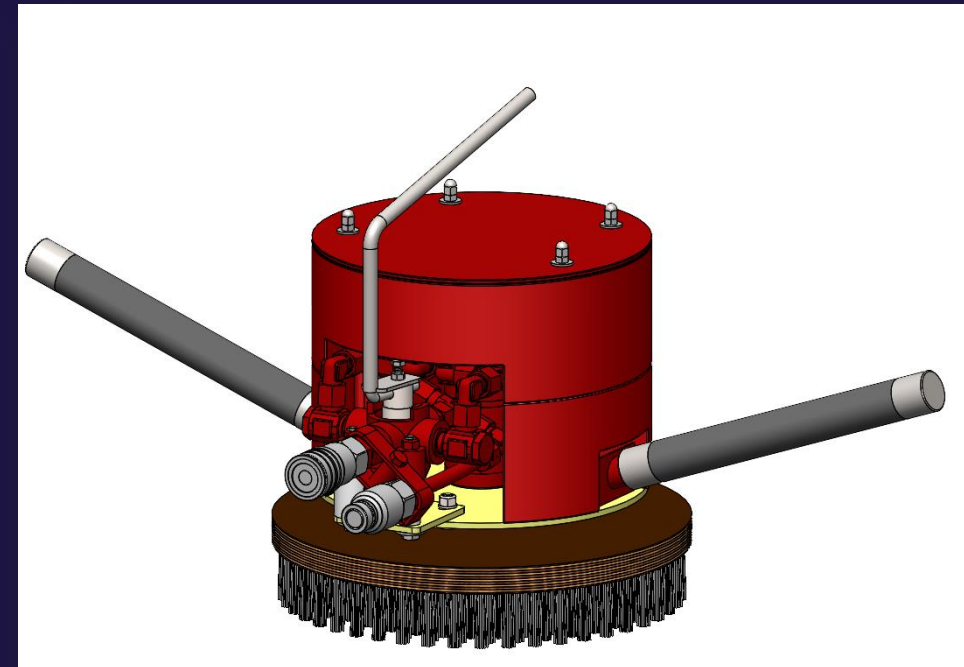
Advantages

- Lightweight and easy to use
- Hydraulically powered
- Extremely robust design
- High quality buoyancy parts
- Powerful with wide range of brushes for various work needs



Specifications

Size of motor	: 19cc
Speed	: 500-600rpm
Working pressure	: 100-130bar
Dry weight	: 8.1kg
Weight in the sea	: +1kg



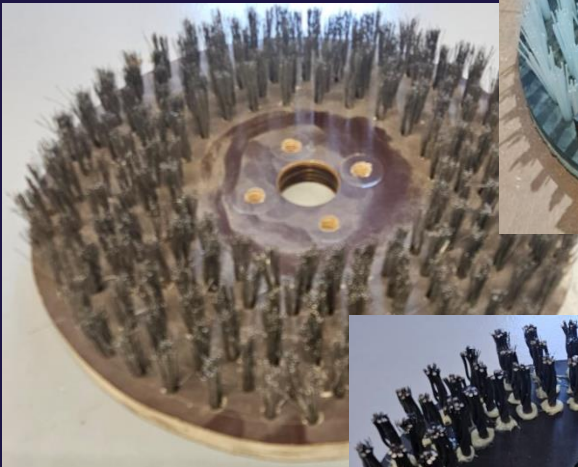
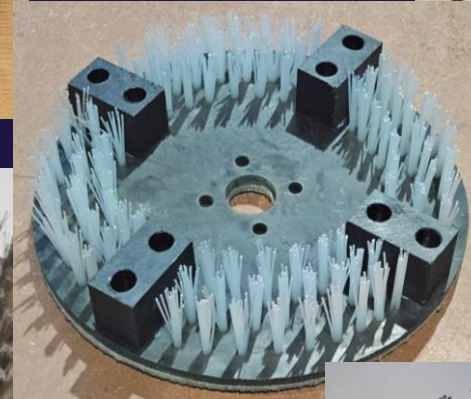
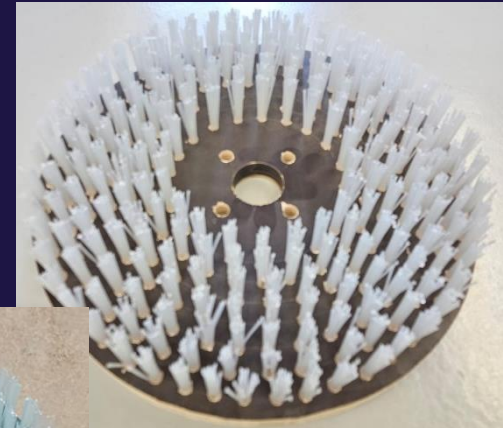
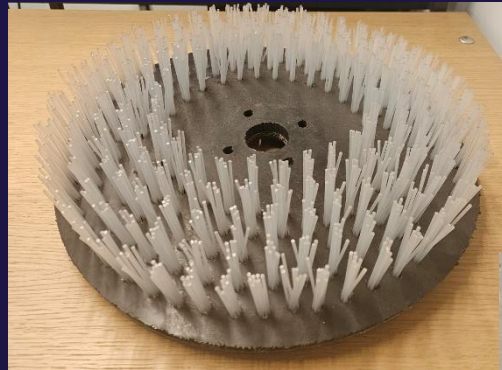


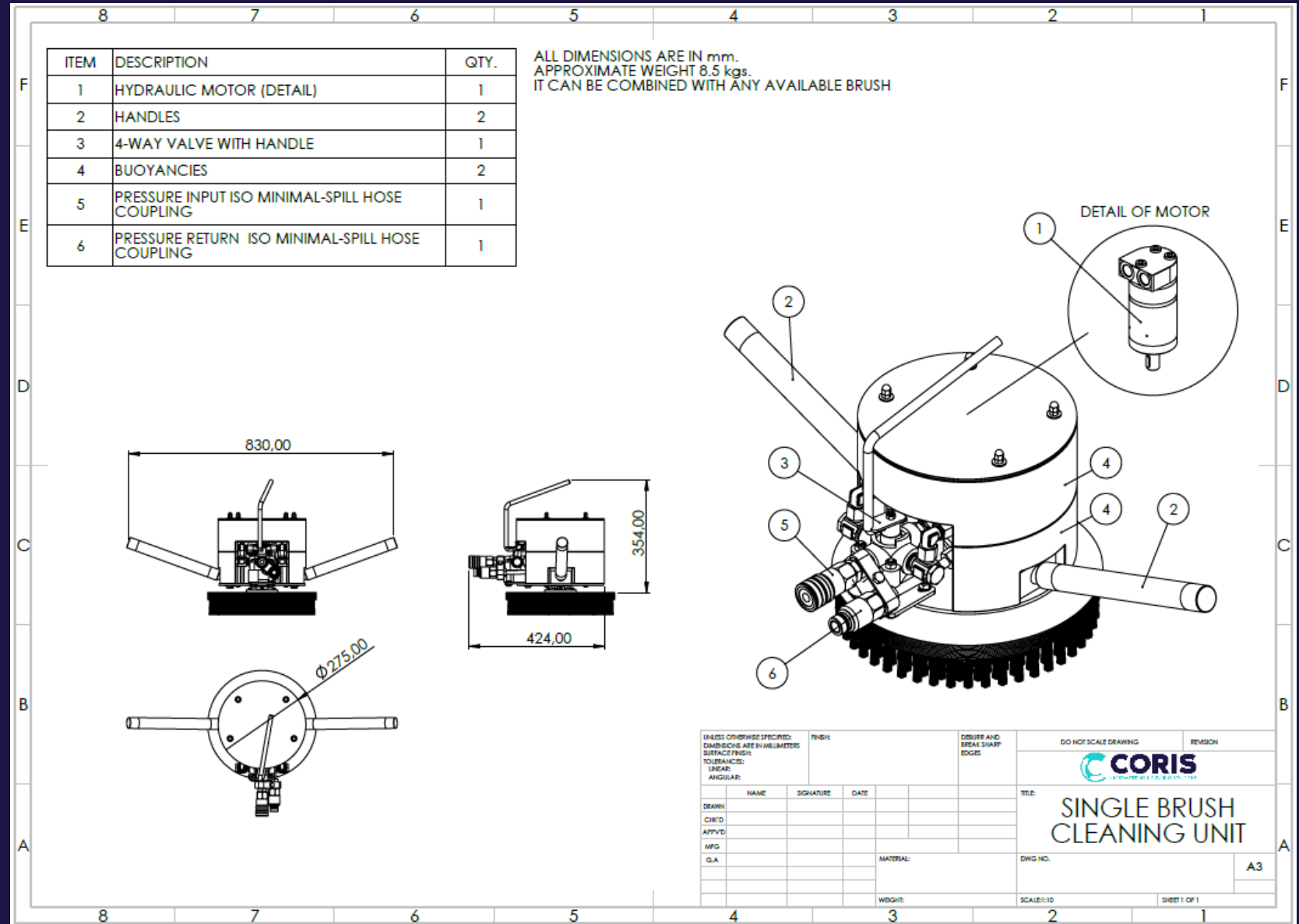
Brushes

A wide range of brushes are used to satisfy the demands of each job.

The Single Brush Cleaning Unit utilizes similar type of brushes as the 2nd Gen Brush-kart, fact that makes it applicable on all types of cleaning demands.

Despite the complexity of the project, there is a solution with the Single Brush Cleaning Unit.







Thank you!

For more information, please visit:

www.corishullcleaning.com