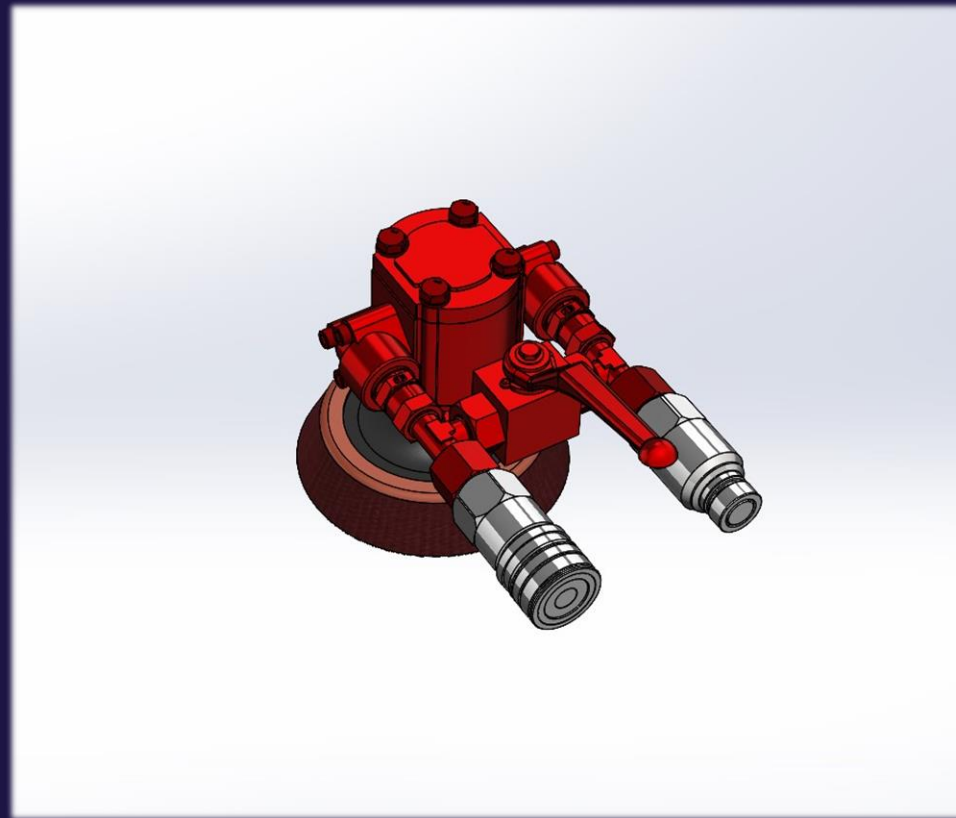


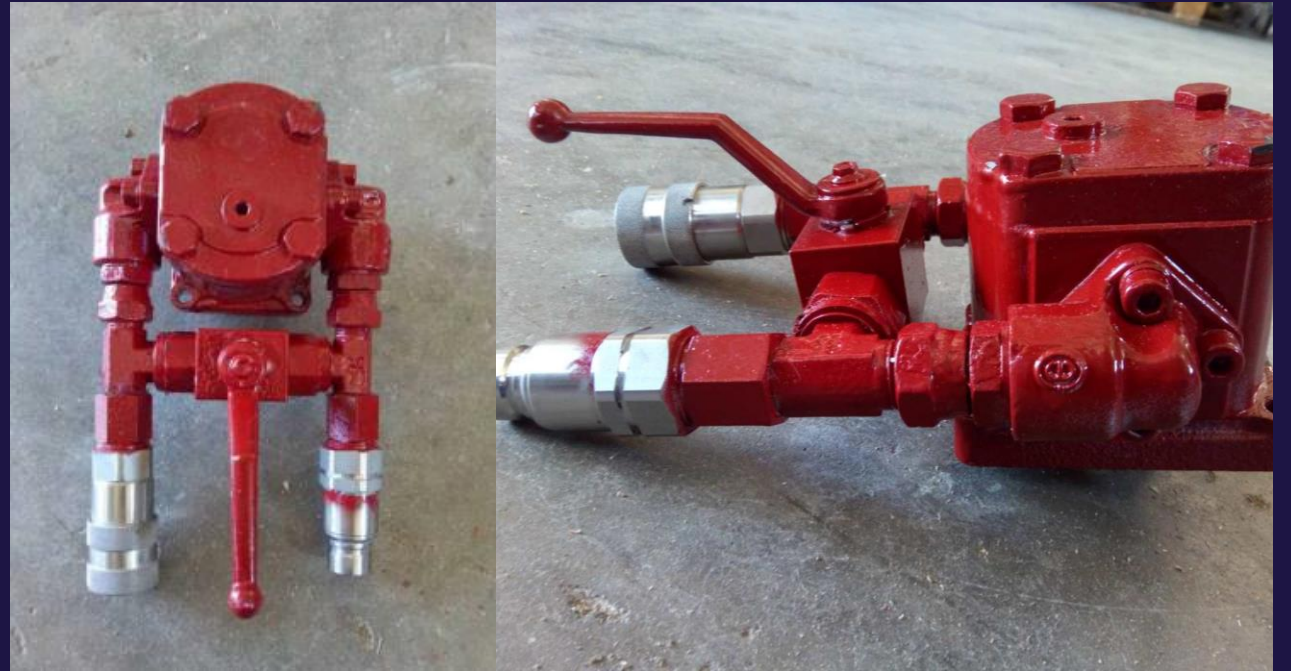


## Underwater Grinder/Polisher



This is a hand power tool for propeller polishing or grinding specially designed for underwater services.

It is very handy and light with quick coupling connections.





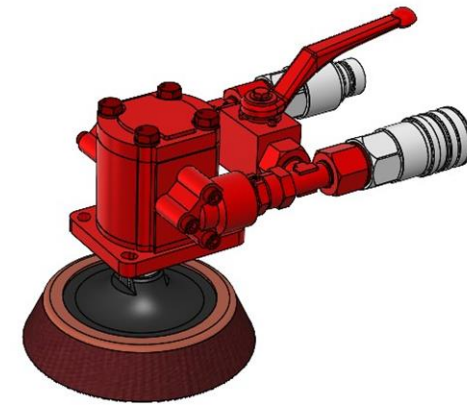
## Advantages

- Lightweight and easy to use
- Hydraulically powered
- Extremely robust design
- Powerful with wide range of brushes for various work needs



## Specifications

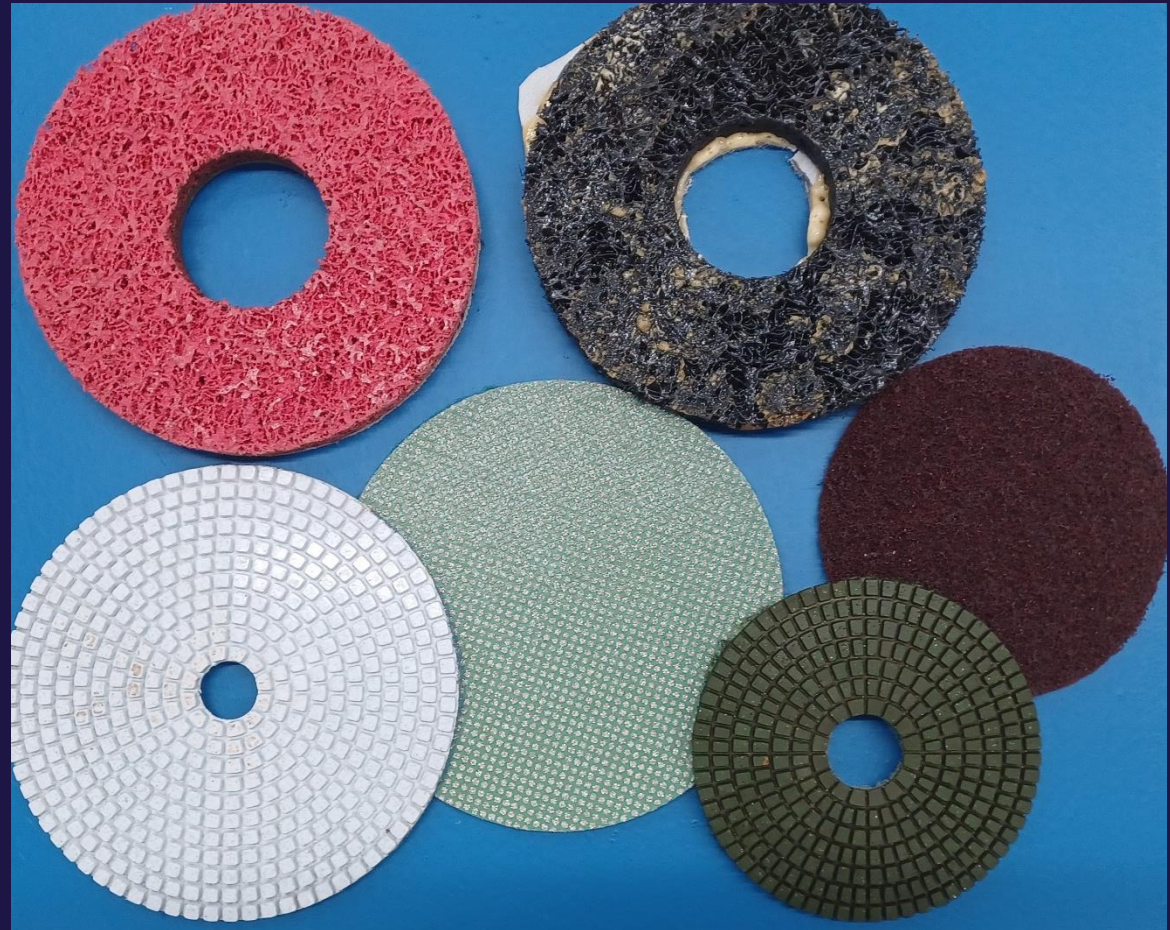
Size of motor	: 14 cc
Speed	: 1500-2000 rpm
Working pressure	: 110-130 bar
Thread size	: M14
Dry weight	: 4.1 kg

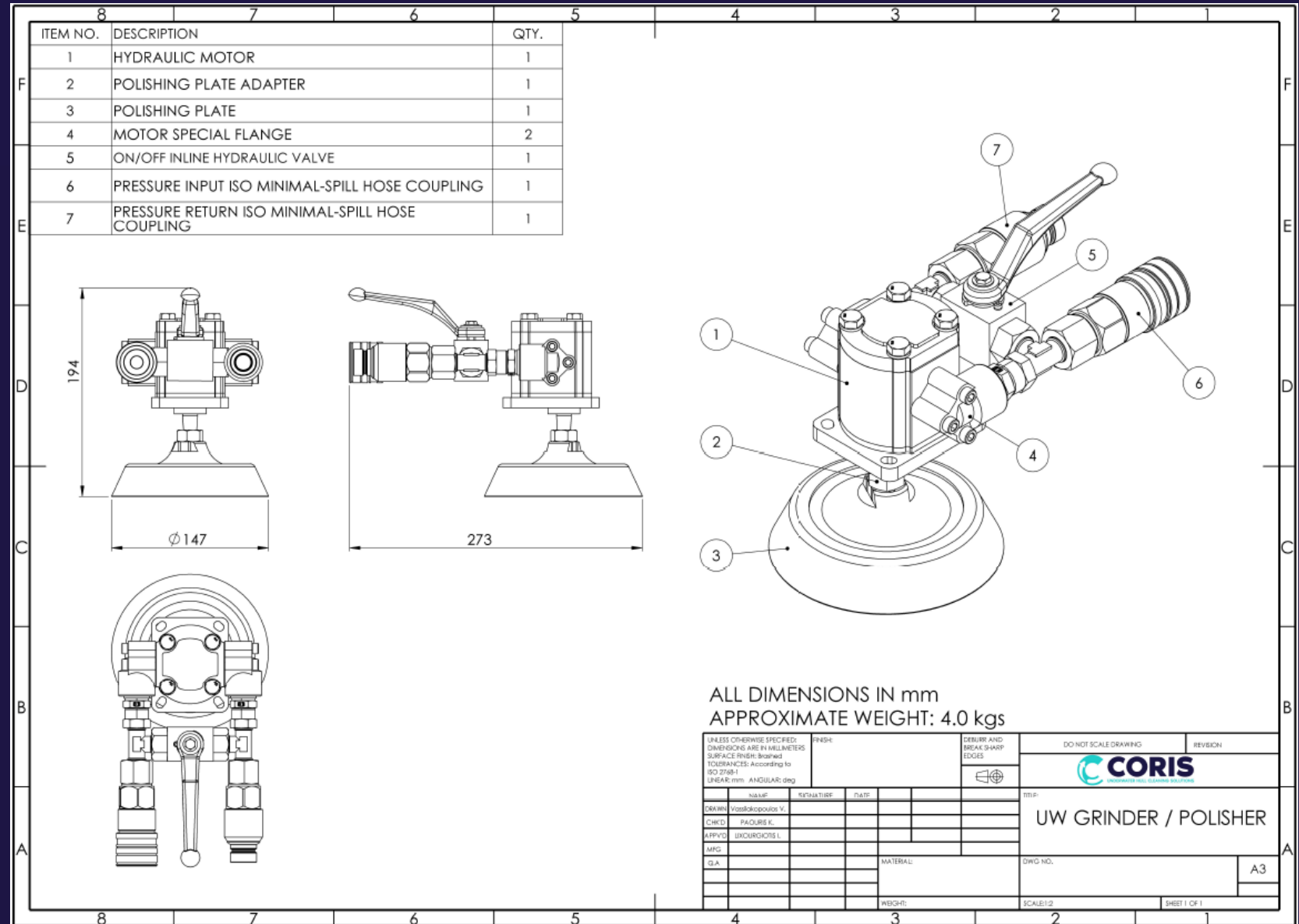


A wide range of brushes are used to satisfy the demands of each job.

The underwater Grinder / Polisher special characteristics, allows the interchangeability of the polishing plates with the suitable for any brush.

Despite the complexity of the project, there is a solution with the Underwater Grinder / Polisher.







Thank you!

For more information, please visit:

[www.corishullcleaning.com](http://www.corishullcleaning.com)